

# 并联机器人—志华系列

Parallel Robots—ZhiHuaSeries

矢志铸梦，已启华章！华盛控用拓荒牛精神打造核心产品，产品厚重、稳定、可靠。

志华系列并联机器人为经典并联机器人构型，三维空间XYZ平动和绕Z轴旋转作业模式，具有速度快、精度佳、稳定性高、柔性强等优势。广泛应用于医药、食品、3C、日化、五金分拣等行业。

The dream has been forged with determination. WSC uses the spirit of a pioneering cow to build its core products, which are heavy, stable and reliable.

Zhihua series parallel robots are classical parallel robot configurations, with three-dimensional space XYZ flat motion and rotation around Z axis operation mode, with the advantages of fast speed, good precision, high stability and strong flexibility. It is widely used in the pharmaceutical, food, 3C, daily chemical, hardware sorting and other industries.



## 产品特性 Product Features

**定位精准、稳定可靠、柔性强**

Accurate positioning, stable and reliable, flexible.

**独特压簧设计，延长使用寿命，提高使用安全性**

Unique spring design extends service life and improves safety.

**独特第四轴设计，旋转精度高达 0.05 度**

Unique fourth axis design achieves a rotation accuracy of up to 0.05 degrees.

**倒置式安装、良好的跟踪性能**

Inverted installation with excellent tracking performance.

**高品质、高性价比、视觉动态跟踪取放**

High-quality, cost-effective, visual dynamic tracking fetch and drop.

**超高速拾取货物，高达120次/min**

Ultra-high speed picking of goods, up to 120 times/min.

**高性价比，自主研发系统、外形**

High cost-performance, independently developed system and appearance.

**承载能力强、刚度大、自重负荷比小，动态性能好**

Strong bearing capacity, high rigidity, small self-weight load ratio, and good dynamic performance.

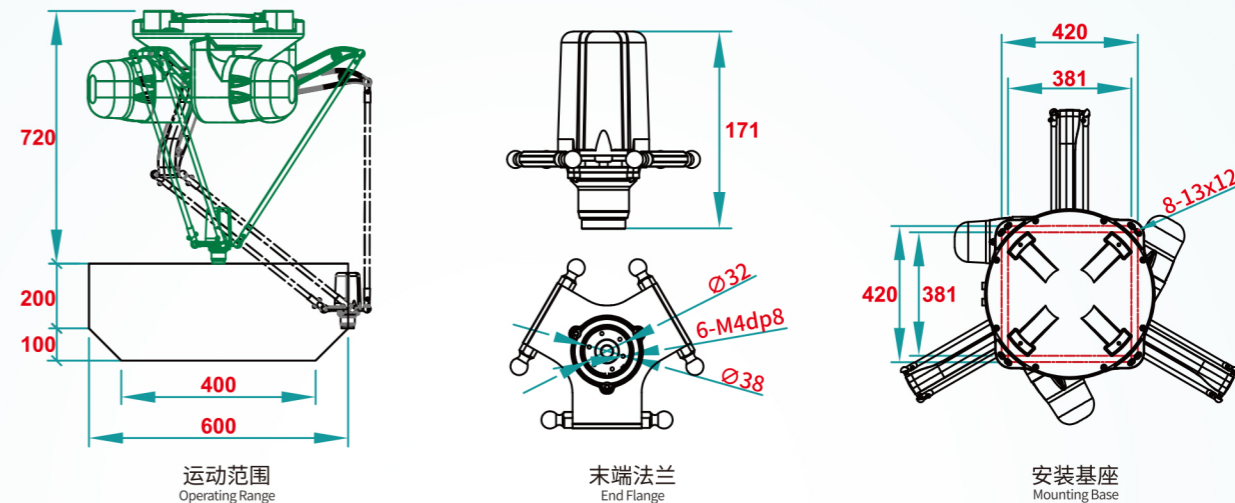
## 配置 Settings

配置 Settings	品牌 Brand
伺服电机 Servo motor	WARSONCO/PANASONIC
减速机 Machine reducer	新宝/绿的 Nidec Corporation/green
控制器 Controller	奥地利 KEBA Austria KEBA

# 并联机器人—志华系列—WSC-600D

Parallel Robots—ZhiHuaSeries

## 行程范围 Technical Specifications



## 性能参数 Performance parameters

型号 Model	WSC-600D-L3	WSC-600D-L8	WSC-600D-L12
动作自由度 Power Rating	四轴	四轴	四轴
最大负载 (kg) Max Load	3kg	8kg	12kg
标准循环时间 (s) Standard cycle time	0.4秒/节拍 (25/305/25mm)	0.4秒/节拍 (25/305/25mm)	0.4秒/节拍 (25/305/25mm)
重复定位精度 (mm) Repeat positioning accuracy	±0.05mm	±0.05mm	±0.05mm
角度定位精度 Angular Positioning Accuracy	0.05°	0.05°	0.05°
电源 Power	220V	220V	220V
额定功率 Power Rating	2.5kw	3.5kw	5kw
噪音水平 Noise Level	<75db	<75db	<75db
防护等级 Protection Level	IP54	IP54	IP54
驱动方式 Motor Method	Ac伺服驱动 Servo drives	Ac伺服驱动 Servo drives	Ac伺服驱动 Servo drives
示教器 Demonstrator	7寸示教器 7 inch	7寸示教器 7 inch	7寸示教器 7 inch
视觉定位模组 Vision Positioning Module	选配 (130w相机、镜头、光源)	选配 (130w相机、镜头、光源)	选配 (130w相机、镜头、光源)
运动指令 Operating Instructions	PTP, LINE, PICK, PLACE	PTP, LINE, PICK, PLACE	PTP, LINE, PICK, PLACE
安装方式 Installation Method	倒置式 Inverted	倒置式 Inverted	倒置式 Inverted
机器人重量 Robot Weight	72kg	72kg	72kg